

BETA 370



Side Injection Shuttle Table Compact Machine

LPMS® machines are engineered for low pressure molding, using specialty resins to encapsulate delicate parts, like automotive electronics, PCBA, coil, fiber-optic, LED lighting, cable, etc.

The benefits of side injection is that when one large cavity being encapsulated from the center of the mold, which can prevent the gate mark from the center of product.

Features

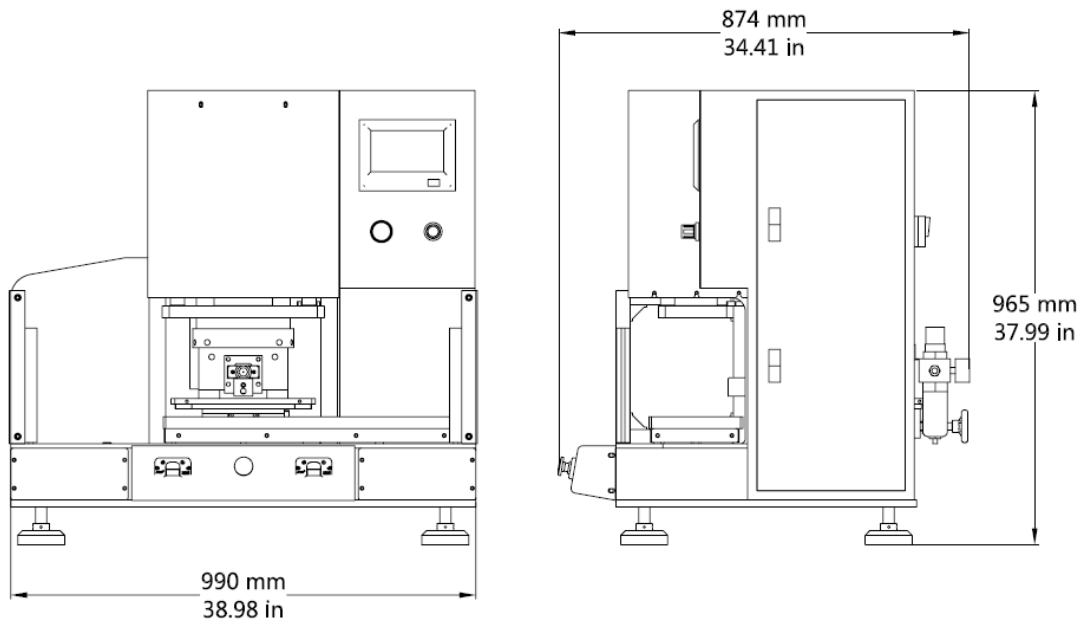
- Shuttle table design, one upper mold serves two bottom molds, which increases throughput and is safe for workers.
- 7 liter melting tank integrated into machine without hose.
- LPMS specially designed melt-on-demand tank can melt down the resin swiftly and evenly.
- Injection pressure range 1~50kg, which can be controlled by the pneumatic safety valve. LPMS also have option like electronic safety valve, which means the injection pressure can be set more precisely from the PLC.
- The gear pump is made of hard-wearing material , which is stable , maximum shot size is 5.8 g/s.
- Modular injection system for ease of service.
- Two temperature control zone work independently.
- Over temperature alarm, automatic heating, stop heating functions are included.
- Light curtain and photo-electricity sensor buttons protect workers during the operation.
- Mold is easy to install due to LPMS' standard mold base.
- Ejection system is equipped.
- Optional : Dual dispensing control system.
- Optional : Auto-feeding system and dryer machine enhance productivity.

Specification

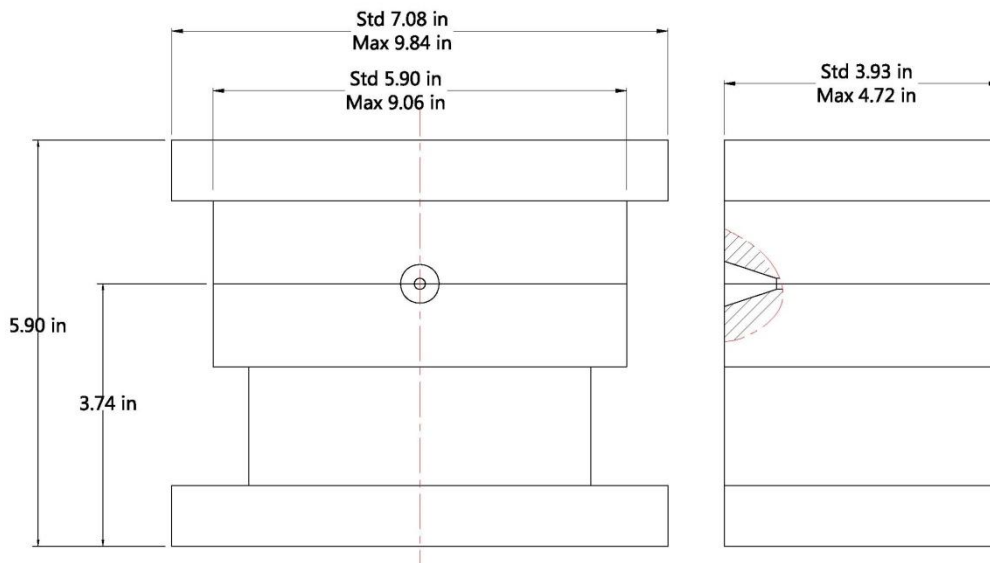
Machine Size / Weight	990 mm x 874 mm x 965 mm / 400 kg 38.98 in x 34.41 in x 37.99 in / 881 lbs
Footprint	990 mm x 874 mm 38.98 in x 34.41 in
Working Station Height	N/A
Packing Size / Weight	1100 mm x 960 mm x 1165 mm / 470 kg 43.31 in x 37.80 in x 45.87 in / 661 lbs
Melting Tank	7 Liter x 1
Shot size (only for reference)	5.8 g / RPM
Gun Model & Tip	LPMS-G02 / 36.4° or 90°
Heated Hose	N/A
Electricity ¹	200-240VAC / 1 Phase / 50 Hz
Temperature Control Zones	2
Temperature Range	Ambient up to 250°C / 485°F
Max .Power	4.5Kw
Min. Air Pressure	0.5 MPa 73 Psi
Air Consumption	0.1m ³ / min 3.5ft ³ / min
Clamping	Air Cylinder
Clamping Force	Max. 1.25 Ton
Clamping Stroke	75 mm
Ejector Force	Air Cylinder
Ejector Stroke	980 N
Control System	7" HMI , PLC controlled
Safety Protection	Light curtain and photo-electricity sensor buttons
Mold Set Size	180 mm x 100 mm x 150 mm / 16 kg 7.09 in x 3.94 in x 5.91 in / 35.27 lbs
Max. Mold Set Size	250 mm x 120 mm x 150 mm 9.84 in x 4.72 in x 5.91 in

¹ Input power of 200-240 VAC 50/60 Hz single-phase or 380VAC 50/60Hz three phase.

Dimension



Machine dimension



Mold set dimension

※ LPMS reserved the right of final explanation. Please forgive that if any change of products will not specify additionally.